

Part-number Description 型號說明 >>>

LAS2	GQ	★	—	□	■	◇	/	△	/	▲	/	◎	/	☆
Code of series 系列型號	Code name 代號	The front shape 頭部形狀	Contact structure: 接點組合:	Operation mode: 操作類型:	Lamp type 燈部類型	Lamp color and colored button: 帶燈顏色或按鈕顏色:	Lamp voltage: 燈部電壓:	The crust material: 外殼材質:	IP degree: 防護等級:					
		F Flat Round 平圓形 H High Round 高平圓形 C Concave Round 凹圓形 G High Concave Round 高凸圓形	11 1NO1NC 22 2NO2NC	Z Latching type 自鎖按鈕 No letter means momentary 無字母代表自復按鈕	D Dot 單點 E Ring 環形	R Red 紅 G Green 綠 Y Yellow 黃 O Orange 橙 B Blue 藍 W White 白	AC/DC 6V AC/DC 12V AC/DC 24V AC/DC 110V AC/DC 220V Note: Other voltage can be made to order 其他電壓等級可定做	N Nickel-plated Brass 黃銅鍍鎳外殼 S Stainless steel 不銹鋼外殼	FP IP67 No letter means IP40 無字母代表IP40					

Note 注: Pls read the catalog carefully, and choose the right part-number according to the sign. 請仔細閱讀產品具體說明後，根據不同符號在該表中選取相應代號。

Lamp Ratings 燈泡規格 >>>

Lamp Type 燈泡類型	LED lamp (AC/DC) 雙向LED燈泡 (交直流通用)			Lamp Circuit Diagram 燈泡特效電路
LED Color 發光顏色	R G Y O B W			
Life 壽命	40000 hours (Reference) 40000小時 (參考值)			
Rated Voltage 額定電壓	AC/DC6V	AC/DC12V	AC/DC110V	<ul style="list-style-type: none"> Using AC/DC LED lamp, the terminals have no difference of anode and cathode. 採用交直流通用的LED燈泡，接線端子無正負極區分 Using inner resistance for the lamp below 60V. Using 6V lamp when the lamp voltage is above 60V, and need connect outer dropping resistance. 60V以下燈泡已內置保護電阻；60V以上時燈電壓採用6V燈泡，需外接降壓電阻
		AC/DC24V	AC/DC36V	
Rated Current 額定電流	About 約 15mA		About 約 3mA	
Dropping Way 降壓方式	Inner resistance 內置電阻		Outer resistance when using 6V lamp 採用6V燈泡需外接電阻	

Note 注: DC LED and other voltage can be made to order. 如需單向直流LED燈泡可定做；其他電壓規格可按要求定做。

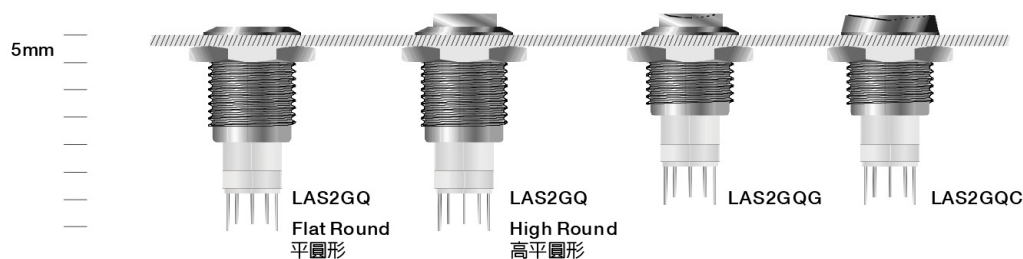
Switching Operation 開關結構說明 >>>

TYPE 型式	C
Diagram 示意圖	
Sign 符號	
Explanation 說明	Using three terminals, single-break and fast-motion changeover contact. 具有三個端子的單斷點快動轉換觸頭開關

Terminal Description 引腳說明 >>>

<p>LED Pin 燈泡腳</p>
<p>Can use two sets at most. C1, NO1, NC1 and C2, NO2, NC2 are one set respectively. C is common used, NO is normal opened, NC is normal closed; +, - are lamp terminals, the standard LED have no difference of anode and cathode; The lamp and switch are relatively independent and can use switch or peripheral circuit to control the lamp state. 最多可配置兩組接點。 C1, NO1, NC1和C2, NO2, NC2分別為一組接點； C腳為公用腳，NO腳為常開腳，NC腳為常閉腳； +, -腳為燈泡引腳，常規燈泡配置無正負極區分； 燈泡與接點相對獨立，可通過接點或外圍電路控制燈泡狀況。</p>

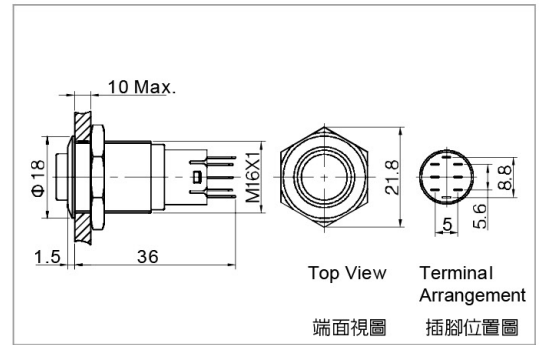
Installation Effect 安裝效果預覽 >>>



Metal ring illuminated push button 金屬環形帶燈按鈕開關



- Ø 16mm Diameter
安裝孔尺寸: Ø 16mm
- Switch Rating: 3A/250VAC
開關額定值: 3A/250VAC
- Contact Configuration: 1NO1NC/ 2NO2NC
接點組合: 1NO1NC/ 2NO2NC
- Operation Type: Momentary/Latching
操作類型: 自復式/自鎖式
- The Front Shape: High Round
頭部形狀: 高平圓形
- The Crust Material: Stainless Steel/
Nickel Plated Brass
外殼材質: 不銹鋼/黃銅鍍鎳
- Ring Illuminated (LED)
環形帶燈 (LED)
- IP Degree: IP40/ IP67, IK09
防護等級: IP40/ IP67, IK09

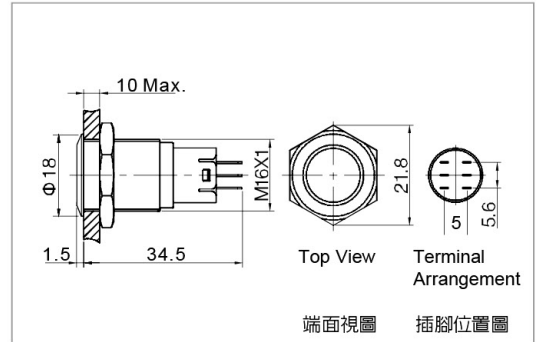


Specification 產品規格	LAS2GQF-□■/◎/☆ LAS2GQH-□■/◎/☆	LAS2GQF-□■D/△/▲/◎/☆ LAS2GQH-□■D/△/▲/◎/☆	LAS2GQF-□■E/△/▲/◎/☆ LAS2GQH-□■E/△/▲/◎/☆
The Front Shape 頭部形狀	Flat Round 平圓形 High Round 高平圓形	Flat Round 平圓形 High Round 高平圓形	Flat Round 平圓形 High Round 高平圓形
Terminal Type 接線端子配置	Pin Terminal (1.8x0.4mm) 接線端子(1.8x0.4mm)	Pin Terminal (1.8x0.4mm) 接線端子(1.8x0.4mm)	Pin Terminal (1.8x0.4mm) 接線端子(1.8x0.4mm)
Switching 開關形式	C(single-break fast-motion changeover contact) C (單斷點快動轉換接點)	C(single-break fast-motion changeover contact) C (單斷點快動轉換接點)	C(single-break fast-motion changeover contact) C (單斷點快動轉換接點)
Max. Switch Rating 開關規格	Ith:3A Ui:250VAC	Ith:3A Ui:250VAC	Ith:3A Ui:250VAC
Contact Resistance 接觸電阻	≤ 50mΩ	≤ 50mΩ	≤ 50mΩ
Insulation Resistance 絕緣電阻	≥ 1000MΩ	≥ 1000MΩ	≥ 1000MΩ
Dielectric Intensity 絕緣強度	2000VAC	2000VAC	2000VAC
Operating Temp 環境溫度	-20°C~+55°C	-20°C~+55°C	-20°C~+55°C
Mechanical Life 機械壽命	200,000 cycles	200,000 cycles	200,000 cycles
Electrical Life 電器壽命	50,000 cycles	50,000 cycles	50,000 cycles
Panel Thickness 面板厚度	1~10mm	1~10mm	1~10mm
Torque 螺母扭矩	5~14Nm	5~14Nm	5~14Nm
Operation Pressure 操作壓力	2.5~4N	2.5~4N	2.5~4N
Operation Travel 操作行程	About 2.8mm	About 2.8mm	About 2.8mm
IP Degree 防護等級	IP40/ IP67, IK09	IP40/ IP67, IK09	IP40/ IP67, IK09
Material 材料	Contact 接點	Silver Alloy 銀合金	Silver Alloy 銀合金
	Button 按鍵	Stainless Steel/ Nickel Plated Brass 不銹鋼 / 黃銅鍍鎳	Stainless Steel/ Nickel Plated Brass 不銹鋼 / 黃銅鍍鎳
	Body 外殼	Stainless Steel/ Nickel Plated Brass 不銹鋼 / 黃銅鍍鎳	Stainless Steel/ Nickel Plated Brass 不銹鋼 / 黃銅鍍鎳
	Base 基座	PBT	PBT
	RoHS	Made to order 可定制	Made to order 可定制
LED Spec. 帶燈部份參數	Type 帶燈類型	Without Lamp 不帶燈	Dot Illuminated (LED) 單點帶燈 (LED)
	Rated Voltage 額定電壓	—	6V/12V/24V/110V/220V
	Color 燈泡顏色	—	R G Y O B W
	Life 燈泡壽命	—	40000 hours

Metal push button 金屬按鈕開關



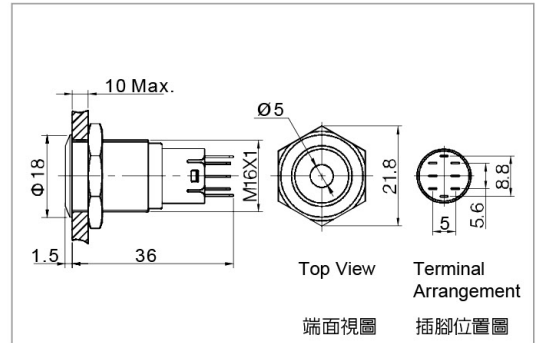
- Ø 16mm Diameter
安裝孔尺寸: Ø 16mm
- Switch Rating: 3A/250VAC
開關額定值: 3A/250VAC
- Contact Configuration: 1NO1NC/ 2NO2NC
接點組合: 1NO1NC/ 2NO2NC
- Operation Type: Momentary/Latching
操作類型: 自復式/自鎖式
- The Front Shape: Flat Round
頭部形狀: 平圓形
- The Crust Material: Stainless Steel/
Nickel Plated Brass
外殼材質: 不銹鋼/黃銅鍍鍍
- IP Degree: IP40/ IP67, IK09
防護等級: IP40/ IP67, IK09



Metal dot illuminated push button 金屬單點帶燈按鈕開關



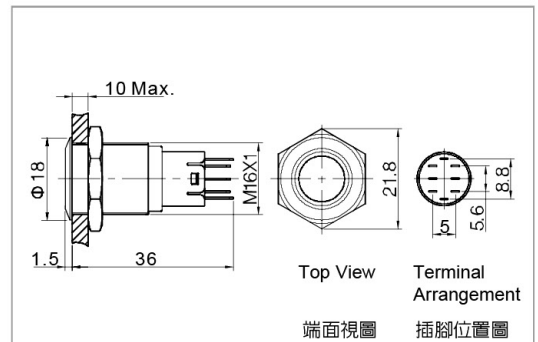
- Ø 16mm Diameter
安裝孔尺寸: Ø 16mm
- Switch Rating: 3A/250VAC
開關額定值: 3A/250VAC
- Contact Configuration: 1NO1NC/ 2NO2NC
接點組合: 1NO1NC/ 2NO2NC
- Operation Type: Momentary/Latching
操作類型: 自復式/自鎖式
- The Front Shape: Flat Round
頭部形狀: 平圓形
- The Crust Material: Stainless Steel/
Nickel Plated Brass
外殼材質: 不銹鋼/黃銅鍍鍍
- Dot Illuminated
帶燈方式: 單點
- IP Degree: IP40/ IP67, IK09
防護等級: IP40/ IP67, IK09



Metal ring illuminated push button 金屬環形帶燈按鈕開關



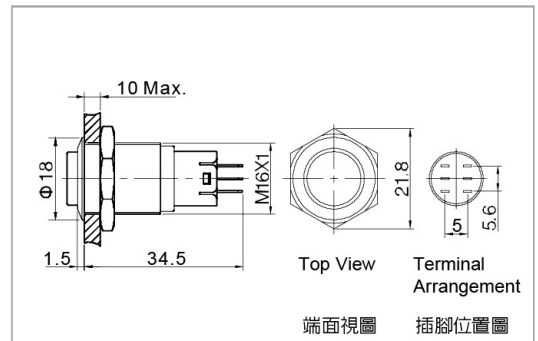
- Ø 16mm Diameter
安裝孔尺寸: Ø 16mm
- Switch Rating: 3A/250VAC
開關額定值: 3A/250VAC
- Contact Configuration: 1NO1NC/ 2NO2NC
接點組合: 1NO1NC/ 2NO2NC
- Operation Type: Momentary/Latching
操作類型: 自復式/自鎖式
- The Front Shape: Flat Round
頭部形狀: 平圓形
- The Crust Material: Stainless Steel/
Nickel Plated Brass
外殼材質: 不銹鋼/黃銅鍍鍍
- Ring Illuminated (LED)
環形帶燈 (LED)
- IP Degree: IP40/ IP67, IK09
防護等級: IP40/ IP67, IK09



Metal push button 金屬按鈕開關



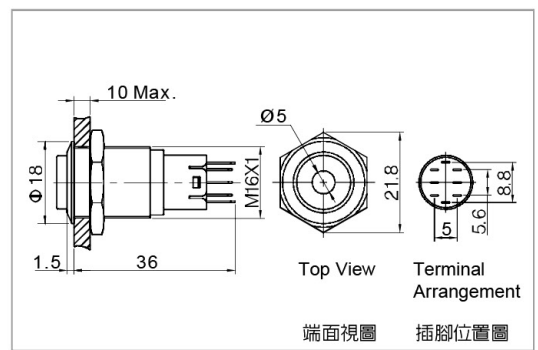
- Ø 16mm Diameter
安裝孔尺寸: Ø 16mm
- Switch Rating: 3A/250VAC
開關額定值: 3A/250VAC
- Contact Configuration: 1NO1NC/ 2NO2NC
接點組合: 1NO1NC/ 2NO2NC
- Operation Type: Momentary/Latching
操作類型: 自復式/自鎖式
- The Front Shape: High Round
頭部形狀: 高平圓形
- The Crust Material: Stainless Steel/
Nickel Plated Brass
外殼材質: 不銹鋼/黃銅鍍鍍
- IP Degree: IP40/ IP67, IK09
防護等級: IP40/ IP67, IK09



Metal dot illuminated push button 金屬單點帶燈按鈕開關



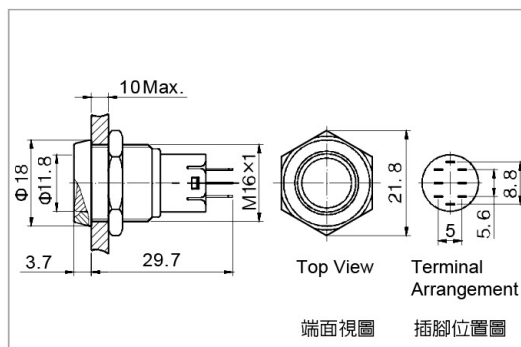
- Ø 16mm Diameter
安裝孔尺寸: Ø 16mm
- Switch Rating: 3A/250VAC
開關額定值: 3A/250VAC
- Contact Configuration: 1NO1NC/ 2NO2NC
接點組合: 1NO1NC/ 2NO2NC
- Operation Type: Momentary/Latching
操作類型: 自復式/自鎖式
- The Front Shape: High Round
頭部形狀: 高平圓形
- The Crust Material: Stainless Steel/
Nickel Plated Brass
外殼材質: 不銹鋼/黃銅鍍鍍
- Dot Illuminated
帶燈方式: 單點
- IP Degree: IP40/ IP67, IK09
防護等級: IP40/ IP67, IK09



Anti-vandal metal push button 高強度金屬按鈕開關



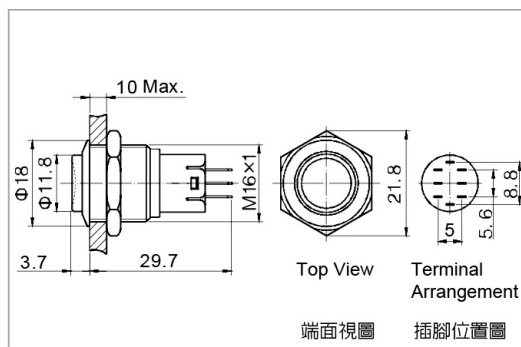
- Ø 16mm Diameter
安裝孔尺寸: Ø 16mm
- Switch Rating: 3A/250VAC
開關額定值: 3A/250VAC
- Contact Configuration: 1NO1NC/ 2NO2NC
接點組合: 1NO1NC/ 2NO2NC
- Operation Type: Momentary/Latching
操作類型: 自復式/自鎖式
- The Front Shape: Concave Round
頭部形狀: 凹圓形
- The Crust Material: Stainless Steel/
Nickel Plated Brass
外殼材質: 不銹鋼/黃銅鍍鎳
- IP Degree: IP40/ IP67, IK10
防護等級: IP40/ IP67, IK10



Anti-vandal metal push button 高強度金屬彩色按鈕開關



- Ø 16mm Diameter
安裝孔尺寸: Ø 16mm
- Switch Rating: 3A/250VAC
開關額定值: 3A/250VAC
- Contact Configuration: 1NO1NC/ 2NO2NC
接點組合: 1NO1NC/ 2NO2NC
- Operation Type: Momentary/Latching
操作類型: 自復式/自鎖式
- The Front Shape: Concave Round
頭部形狀: 凹圓形
- The Crust Material: Stainless Steel/
Nickel Plated Brass
外殼材質: 不銹鋼/黃銅鍍鎳
- IP Degree: IP40/ IP67, IK09
防護等級: IP40/ IP67, IK09
- Head Color: R/G/Y/O/B/W/N
頭部顏色: 紅/綠/黃/橙/藍/白/黑

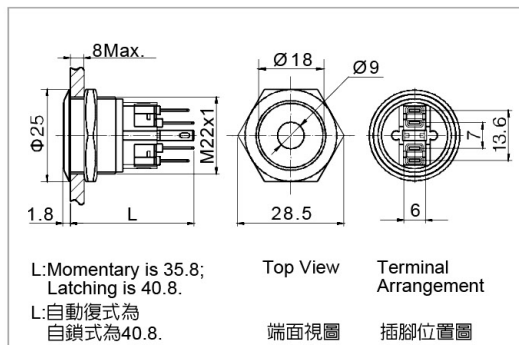


Specification 產品規格	LAS2GQC-□■/◎/☆	LAS2GQG-□■/△/◎/☆
The Front Shape 頭部形狀	Concave Round 凹圓形	High Concave Round 高凹圓形
Terminal Type 接點端子配置	Pin Terminal (1.8x0.4mm) 接線端子(1.8x0.4mm)	Pin Terminal (1.8x0.4mm) 接線端子(1.8x0.4mm)
Switching 開關形式	C(single-break fast-motion changeover contact) C (單斷點快動轉換接點)	C(single-break fast-motion changeover contact) C (單斷點快動轉換接點)
Max. Switch Rating 開關規格	Ith:3A Ui:250VAC	Ith:3A Ui:250VAC
Contact Resistance 接觸電阻	≤50mΩ	≤50mΩ
Insulation Resistance 絕緣電阻	≥1000MΩ	≥1000MΩ
Dielectric Intensity 絕緣強度	2000VAC	2000VAC
Operating Temp 環境溫度	-20°C~+55°C	-20°C~+55°C
Mechanical Life 機械壽命	200,000 cycles	200,000 cycles
Electrical Life 電器壽命	50,000 cycles	50,000 cycles
Panel Thickness 面板厚度	1~10mm	1~10mm
Torque 螺母扭矩	5~14Nm	5~14Nm
Operation Pressure 操作壓力	2.5~4N	2.5~4N
Operation Travel 操作行程	About 2.8mm	About 2.8mm
IP Degree 防護等級	IP40/ IP67, IK10	IP40/ IP67, IK09
Head color 頭部顏色	Machine brushed 本色	R G Y O B W N
Material 材料	Contact 接點	Silver Alloy 銀合金
	Button 按鍵	Stainless Steel/ Nickel Plated Brass 不銹鋼 / 黃銅鍍鎳
	Body 外殼	Stainless Steel/ Nickel Plated Brass 不銹鋼 / 黃銅鍍鎳
	Base 基座	PBT
	RoHS	Made to order 可定制
		Made to order 可定制

Anti-vandal dot illuminated push button 高強度抗破壞單點帶燈按鈕開關



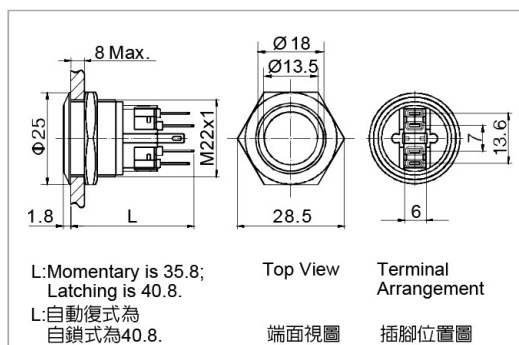
- Ø 22mm Diameter
安裝孔尺寸: Ø 22mm
- Switch Rating: 5A/250VAC
開關額定值: 5A/250VAC
- Contact Configuration: 1NO1NC
接點組合: 1NO1NC
- Operation Type: Momentary/Latching
操作類型: 自復式/自鎖式
- The Crust Material: Stainless Steel
外殼材質: 不銹鋼
- Dot Illuminated
帶燈方式: 單點
- IP Degree: IP65, IK10
防護等級: IP65, IK10



Anti-vandal ring illuminated push button 高強度抗破壞單點帶燈按鈕開關



- Ø 22mm Diameter
安裝孔尺寸: Ø 22mm
- Switch Rating: 5A/250VAC
開關額定值: 5A/250VAC
- Contact Configuration: 1NO1NC
接點組合: 1NO1NC
- Operation Type: Momentary/Latching
操作類型: 自復式/自鎖式
- The Crust Material: Stainless Steel
外殼材質: 不銹鋼
- Ring Illuminated
帶燈方式: 環形
- IP Degree: IP65, IK10
防護等級: IP65, IK10

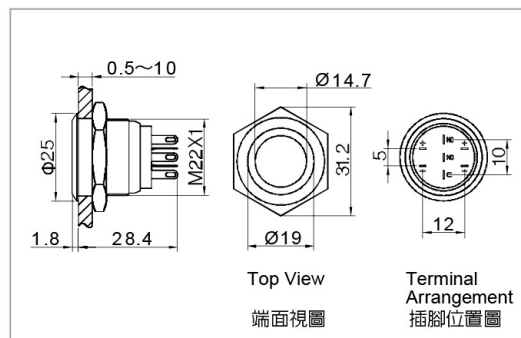


Specification 產品規格		GQ22-11-■D/Δ/▲	GQ22-11-■E/Δ/▲
The Front Shape 頭部形狀		Fiat Round 平圓形	Fiat Round 平圓形
Terminal Type 尾部配置		Pin Terminal (2.8x0.5mm) 接線插片(2.8x0.5mm)	Pin Terminal (2.8x0.5mm) 接線插片(2.8x0.5mm)
Switching 開關形式		Za(double-break fast-motion changeover contact) Za (雙斷點快動轉換接點)	Za(double-break fast-motion changeover contact) Za (雙斷點快動轉換接點)
Max. Switch Rating 開關規格		Ith:5A Ui:250VAC	Ith:5A Ui:250VAC
Contact Resistance 接觸電阻		≤ 50mΩ	≤ 50mΩ
Insulation Resistance 絕緣電阻		≥ 1000MΩ	≥ 1000MΩ
Dielectric Intensity 絕緣強度		2000VAC	2000VAC
Operating Temp 環境溫度		-20°C~+55°C	-20°C~+55°C
Mechanical Life 機械壽命		100,000 cycles	100,000 cycles
Electrical Life 電器壽命		50,000 cycles	50,000 cycles
Panel Thickness 面板厚度		1~8mm	1~8mm
Torque 螺母扭矩		5~14Nm	5~14Nm
Operation Pressure 操作壓力		About 5.5N	About 5.5N
Operation Travel 操作行程		About 2.5mm	About 2.5mm
IP Degree 防護等級		IP65, IK10	IP65, IK10
Material 材料	Contact 觸點	Silver Alloy 銀合金	Silver Alloy 銀合金
	Button 按鍵	Stainless Steel 不銹鋼	Stainless Steel 不銹鋼
	Body 外殼	Stainless Steel 不銹鋼	Stainless Steel 不銹鋼
	Base 基座	PA	PA
	RoHS	Made to order 可定制	Made to order 可定制
LED Spec.	Type 帶燈類型	Dot Illuminated (LED) 單點帶燈 (LED)	Ring Illuminated(LED) 環形帶燈 (LED)
	Rated Voltage 額定電壓	6V/12V/24V/110V/220V	6V/12V/24V/110V/220V
帶燈部份參數	Color 燈泡顏色	R G Y O B W	R G Y O B W
	Life 燈泡壽命	40000 hours	40000 hours

Anti-vandal micro-travel push button 高強度微行程按鈕開關



- Ø 22mm Diameter 安裝孔尺寸: Ø 22mm
- Switch Rating: 5A/250VAC
開關額定值: 5A/250VAC
- Contact Configuration: 1NO1NC
接點組合: 1NO1NC
- Operation Type: Momentary
操作類型: 自復式
- The Crust Material: Stainless Steel
外殼材質: 不銹鋼
- Ring Illuminated 帶燈方式: 環形
- Travel: 0.5mm 行程: 0.5mm
- IP Degree: IP67 防護等級: IP67

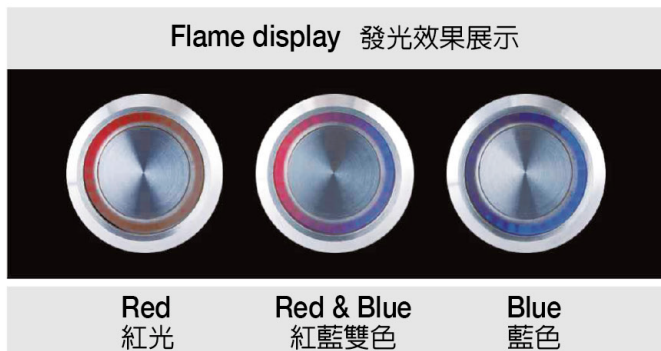


Feature:

- Whole sealing structure, strong waterproof;
- Micro- travel, nice operating hand feeling;
- Using inner switch module, reliable and sensitive connection;
- Using two lamps; have many LED color to recognize different signal.
The same color flame in crescent ring, the different color can generate third mixed flame color at the blending place.
- Used for low-current circuit to control the on-off signal of electronic logic circuit.

特點:

- 全密封結構，防水功能強；
- 行程小，操作手感好；
- 內置開關模塊，觸點多重保護不易污染，接觸可靠靈敏；
- 使用雙燈泡光源；可配置不同顏色的燈泡，達到識別信號多樣化的功能。
同種顏色燈光呈月牙狀亮環，不同顏色燈在交融處能產生第三種混色燈光；
- 適用於小電流電路，多用於控制電子邏輯電路的通斷信號。



Specification 產品規格	GQ22-11WE-△△/▲	
The Front Shape 頭部形狀	Flat Round 平圓形	
Terminal Type 接線端子配置	Pin Terminal (2.4x0.3mm) 接線端子(2.4x0.3mm)	
Switching 開關形式	C(single-break fast-motion changeover contact) C (單斷點快動轉換接點)	
Max. Switch Rating 開關規格	0.5A / 250VAC	
Contact Resistance 接觸電阻	≤ 30mΩ	
Insulation Resistance 絕緣電阻	≥ 1000MΩ	
Dielectric Intensity 絕緣強度	2000VAC	
Operating Temp 環境溫度	-20°C~+55°C	
Mechanical Life 機械壽命	1,000,000 cycles	
Electrical Life 電器壽命	300,000 cycles	
Panel Thickness 面板厚度	0.5~10mm	
Torque 螺母扭矩	5~14Nm	
Operation Pressure 操作壓力	About 3~6N	
Operation Travel 操作行程	About 0.5mm	
IP Degree 防護等級	IP67	
Material 材料	Contact 觸點	Silver Alloy 銀合金
	Button 按鍵	Stainless Steel 不銹鋼
	Body 外殼	Stainless Steel 不銹鋼
	Base 基座	PA
	RoHS	Made to order 可定制
LED Spec.	Type 帶燈類型	Dot Color Ring Illuminated (LED) 雙色環形帶燈 (LED)
	Rated Voltage 額定電壓	6V/12V/24V/110V/220V
帶燈部份參數	Color 燈泡顏色	R G Y O B W
	Life 燈泡壽命	40000 hours

Symbol List 符號列表

<p>Character 文字標識</p>	<p>1 2 3 4 5 6 7 8 9 10</p>
<p>Number and Sign 數字及符號</p>	<p>11 12 13 14 15 16 17 18 19 20 21 22 23 24 25 26 27 28 29 30</p>
<p>ISO Sign ISO符號</p>	<p>31 Straight-line move 直線移動 32 turn 轉動 33 start 啟動 34 stop 停止 35 start/stop 啟動 / 停止 36 point move 點動 37 pump 泵 38 cooling pump 冷動泵 39 lubricant pump 潤滑泵 40 hydraulic pump 液壓泵 41 automatic or semiautomatic cycle 自動或半自動循環 42 spacing straightline move 限位直線移動</p>
<p>Special Sign 特殊符號</p>	<p>43 44 45 46 47 48</p>